

Peripheral *GRN* mRNA and serum progranulin levels as a potential indicator for both the presence of splice site mutations and individuals at risk for frontotemporal dementia

Gamze Guven¹, Bařar Bilgic², Zeynep Tufekcioglu², Nihan Erginel Unaltuna¹, Hasmeth Hanagasi², Hakan Gurvit², Andrew Singleton³, John Hardy⁴, Murat Emre², Cagri Gulec⁵, Jose Bras^{6,7}, Rita Guerreiro^{6,7*#}, Ebba Lohmann^{8,9*#}

1- Department of Genetics, Aziz Sancar Institute for Experimental Medicine, Istanbul University, Istanbul, TR

2- Behavioural Neurology and Movement Disorders Unit, Department of Neurology, Istanbul Faculty of Medicine, Istanbul University, Istanbul, TR

3- Laboratory of Neurogenetics, National Institute on Aging, National Institutes of Health, Bethesda, USA

4- Department of Molecular Neuroscience, Institute of Neurology, University College London, London, UK

5- Department of Medical Genetics, Istanbul Faculty of Medicine, Istanbul University, Istanbul, TR

6- Department of Medical Sciences and Institute of Biomedicine – iBiMED, University of Aveiro, 3810-193 Aveiro, Portugal

7- UK Dementia Research Institute at UCL (UK DRI), London, UK

8. Department Of Neurodegenerative Diseases, Hertie Institute for Clinical Brain Research, University of Tübingen, GER

9. DZNE, German Center for Neurodegenerative Diseases, Tübingen, GER

Corresponding authors:

Rita Guerreiro, PhD, r.guerreiro@ucl.ac.uk

Ebba Lohmann, MD, ebba.lohmann@med.uni-tuebingen.de

* Equally contributing authors

Abstract

Progranulin (GRN) gene mutations are a major cause of frontotemporal dementia (FTD). Most mutations identified to date are null mutations, which are predicted to cause the pathology via haploinsufficiency. Decreased peripheral progranulin protein (PGRN) levels are associated with the presence of *GRN* null mutations and are accepted as reliable biomarkers. In this study, our aim was to test whether the presence of specific *GRN* splice site mutations (c.-8+2T>G and c.708+6_9del), could be predicted by peripheral mRNA or protein *GRN* levels, by studying affected and asymptomatic individuals from FTD families. We also tested four missense *GRN* variants to assess if altered *GRN* levels depended on the type of mutation. Our results confirmed a reduction in both mRNA and protein PGRN levels in the splice site mutation carriers, which is consistent with previous reports for null mutations. Our results also suggested that both decreased peripheral *GRN* mRNA and serum PGRN levels indicate the presence of pathogenic mutations in affected individuals, and identify the asymptomatic individuals at risk, without previous knowledge of genetic status. Both inferences suggest a potential use of peripheral *GRN* mRNA or serum PGRN levels as biomarkers for families with FTD.

Keywords: Progranulin, ELISA, serum, splice site mutation, frontotemporal dementia

1. Introduction

Progranulin protein (PGRN) encoded by the *GRN* gene, is a secreted growth factor precursor composed of 7.5 tandem repeats of highly conserved 12 cysteinyl granulin motifs. PGRN can be cleaved by elastase within the linker regions to generate 6kDa granulin peptides [1]. Both PGRN and granulin peptides are widely expressed and have functions in development, wound repair, inflammation and tumorigenesis [1]. Mutations in *GRN* are a significant cause of frontotemporal dementia (FTD), accounting for 5-20% of familial and 1-5% of sporadic FTD patients [2] [3]. Currently in the Human Gene Mutation Database, 180 different *GRN* mutations have been listed and of these 147 are classified as pathogenic (HGMD; www.hgmd.org). Most of these alterations are frameshift, splice site [4] and nonsense mutations [5] however there have been reports of complete gene deletions [6]. All pathogenic mutations create null alleles and cause the loss of functional protein, resulting in haploinsufficiency, which can be measured in serum [7] [8] [9], plasma [4] [9] [10] [11] [12] and CSF [13] [14] presenting decreased protein levels. Not only null mutations, but missense variants, either non-pathogenic or with unclear pathogenicity, have also been reported. The clinical findings of FTD associated with *GRN* mutations are diverse and include behavioral changes (bvFTD), primary progressive aphasia (PPA), and movement disorders with extrapyramidal features such as parkinsonism and corticobasal syndrome.

Here, we report molecular data on two Turkish families carrying *GRN* splice site mutations. One of these families presented a novel splice site mutation (NM_002087.2:c.-8+2T>G), the other family which we have previously reported [15], presented a known deletion also affecting a splice site (NM_002087.2:c.708+6_9del). In order to evaluate the effect of these splice site

mutations on the expression of *GRN* (both at the RNA and protein levels), we have compared the expression of *GRN* mRNA and serum PGRN between carrier and non-carrier family members and controls. To assess whether any fluctuations in *GRN* RNA and protein levels were the consequence of the mutation type, we additionally studied 4 different missense variants.

2. Materials and Methods

2.1. Study Group

Family ALZ-172 was found to carry the novel c.-8+2T>G mutation with six family members affected with FTD (Supplementary Figure-1). In our study, two asymptomatic carriers and one healthy non-carrier from family ALZ-172 were included in the evaluation of the *GRN* mRNA and serum PGRN levels. (Table-1). We recruited a total of eighteen individuals from Family DEM-35, in which the c.708+6_9del was identified (Supplementary Figure-2). From Family DEM-35, we included for molecular analysis two deletion-carriers affected with FTD, four asymptomatic deletion-carriers and twelve non-carrier first-degree relatives of the index patient (Table-1).

Supplementary Text-1 provides detailed clinical description of both families

We also included in this study three index patients previously reported as carriers of NM_002087.2:c.99C>A (p.Asp33Glu), c.229G>A (p.Val77Ile) and c.626C>T (p.Pro209Leu) missense variants [15]. Additionally, we studied four asymptomatic carriers of the missense NM_002087.2:c.415T>C, (p.Cys139Arg) variant [15] that we had previously identified in the proband of the respective family.

The control group consisted of 20 non-related individuals with no family history of dementia and without any known *GRN* mutations. Written informed consent was

obtained from all participants and this study was approved by the ethical committee of the Istanbul University.

Peripheral blood samples were drawn into PAXgene tubes, and total RNA was extracted using the PAXgene blood RNA kit (PreAnalytiX, Hombrechtikon, Switzerland) according to the manufacturer's instructions. Serum samples were isolated according to standard procedures and stored at -80 °C.

2.2. In silico prediction analysis

PolyPhen-2 [16], MutationTaster [17] and SIFT [18] in silico prediction programs were used to evaluate the effect of missense variants on protein function and structure. MaxEntScan [19] was used to predict the splicing effects. Variants were classified according to the American College of Medical Genetics and Genomics (ACMG) guidelines.

2.3. Enzyme linked immunosorbent assay (ELISA)

PGRN levels in the serum samples were determined using the Progranulin (human) ELISA Kit (Adipogen, Incheon, Korea) in duplicate with a 1:200 serum dilution according to manufacturer's protocol.

2.4. Quantitative polymerase chain reaction (qPCR)

GRN gene expression levels were determined using Power SYBR Green PCR Master Mix (Applied Biosystems) on an Agilent Mx3000P qPCR System (Agilent Technologies, Santa Clara, CA, USA). Samples were run in triplicates and normalized against glyceraldehyde 3-phosphate dehydrogenase (*GAPDH*) mRNA levels. At least two separate qPCR experiments were performed for each sample. The relative expression of *GRN* was calculated using the $\Delta\Delta C_t$ method.

2.5. Statistical Analysis

The nonparametric Mann–Whitney U test was used to compare PGRN levels between two groups and the Kruskal–Wallis test for comparison of more than two groups. Correlations between age and serum PGRN levels were tested using Spearman’s rho. Results were considered statistically significant for $p \leq 0.05$. The receiver operating characteristics (ROC) curve analysis was used to determine the optimal cut-off value of serum PGRN levels in splice site mutation carriers. The diagnostic accuracy of PGRN levels was assessed from the area under the curve (AUC). Optimal cut-off value that yielded the highest Youden index [sensitivity + (specificity – 1)] was selected. All analyses were performed using SPSS Statistics 21.0 software (IBM Corp., Armonk, NY, USA).

3. Results

3.1. In silico predictions

Based on MaxEntScan scores, the novel c.-8+2T>G variant was found to likely disturb normal splicing due to loss of a splice donor site. The other splice site mutation (c.708+6_9del) was predicted to decrease the splicing of exon 6 due to decreased 5’ donor site score (Supplementary Table-1). In silico predictions of pathogenicity of the missense variants were presented in Supplementary Table-1.

3.2. Serum PGRN levels

Serum samples were available for two asymptomatic individuals carrying the c.-8+2T>G splice site substitution, and one non-carrier first-degree relative. The serum PGRN levels were 64 and 85.1 ng/mL in the asymptomatic carriers and 121 ng/mL in the non-carrier relative (Figure 1A).

Serum PGRN levels were measured in two affected and four asymptomatic family members carrying the c.708+6_9del splice site deletion, and twelve non-carrier first-

degree relatives (Supplementary Table-2). The serum PGRN levels in affected patients carrying the deletion were 23 and 41 ng/mL while, the median serum PGRN levels were 68.8 ng/mL (range 27.7-84.7 ng/mL, n: 4) in asymptomatic carriers and 152.3 ng/mL (range 78.8-234.5 ng/mL, n: 12) in non-carrier relatives (Figure-1B).

Due to the small number of carriers of the splice site mutations in each family, all splice site mutation carriers were combined in a single group in the statistical comparison of serum PGRN levels. In this analysis, the median serum PGRN levels in all splice site mutation carriers (median 66.4 ng/mL, range 23-85.1 ng/mL, n= 8) were significantly ($p<0.001$) lower than that of non-related controls (median 181.6 ng/mL, range 101.1-266 ng/mL, n=20). We then test whether decreased serum PGRN levels could be used to distinguish, asymptomatic splice site mutation carriers from controls. Asymptomatic carriers (median 68.8 ng/mL, range 27.7-85.1 ng/mL, n= 6) were found to have significantly ($p<0.001$) lower PGRN levels than controls.

ROC curve analysis (Supplementary Figure-3) including all splice site mutation carriers and all non-carriers suggested that a cut-off chosen at 93.1ng/mL would predict null mutation carriers from controls and non-carriers with a sensitivity of 100% and a specificity of 97% (area under the curve, 0.99 $p<0.001$).

Figure-1

In addition to the mentioned splice site mutations, the effect on serum PGRN levels of four additional missense variations was also evaluated in three index patients and four asymptomatic carriers. When considering all variant carriers separately, it was evident that asymptomatic/affected splice site mutation carriers had prominently low serum PGRN levels (Figure-2). Strikingly, the PGRN levels in p.Cys139Arg carriers were in the same range as that of individuals carrying splice site mutations (Figure-2), and the

median serum PGRN levels (median, 60.7 ng/mL, range 47.8-68.6 ng/mL, n= 4) were significantly lower than those found in controls (p=0.002). Serum PGRN levels in carriers of p.Val77Ile and p.Pro209Leu missense variants (114.8 ng/mL and 128.9 ng/mL, respectively) were higher than the levels for carriers of splice site mutations and p.Cys139Arg. However, they were still lower than the range observed for controls (Figure-2). In the p.Asp33Glu carrier the serum PGRN levels (269.8 ng/mL) were prominently higher than the levels for carriers of splice site mutations and even for other missense variants. Interestingly, the serum PGRN levels in the p.Asp33Glu carrier were higher than those observed for controls, as well (Figure-2). When considering all pathogenic variant carriers (splice site mutations and p.Cys139Arg) together, the PGRN levels in carriers of pathogenic variants were found to be significantly (p=0.01) decreased compared to those of non-pathogenic variant carriers (p.Asp33Glu, p.Val77Ile, p.Pro209Leu).

Figure-2

3.3. GRN mRNA expression levels

To see whether the significant lower serum PGRN protein levels were the consequence of decreased *GRN* mRNA expression, we analyzed *GRN* mRNA levels in splice site mutation carriers. We found that mRNA levels were significantly decreased (p=0.006) in splice site mutation carriers compared to controls (Figure-3).

When we evaluated *GRN* mRNA levels in all carriers of missense variants, we found that mRNA levels were significantly decreased (p=0.025) compared to controls but no significant difference (p=1) was observed when compared with splice site mutation carriers (Figure-3). Considering the low serum PGRN levels in p.Cys139Arg carriers we statistically analyzed p.Cys139Arg carriers separately from other missense carriers

(p.Asp33Glu, p.Val77Ile and p.Pro209Leu) in terms of *GRN* mRNA levels. Our results showed that mRNA levels in p.Cys139Arg carriers were not significantly different ($p=0.742$) from splice site mutation carriers, but were significantly decreased ($p=0.01$) compared to controls. When the carrier of p.Asp33Glu was excluded, due to high serum level, and two other missense (p.Val77Ile and p.Pro209Leu) carriers were included in statistical analysis together with carrier of p.Cys139Arg, the difference still remained significant ($p=0.002$) when compared to controls. However we did not find any significant difference ($p= 0.569$) in *GRN* mRNA levels between pathogenic variant carriers (splice site mutations and p.Cys139Arg) and non-pathogenic variant carriers (p.Asp33Glu, p.Val77Ile, p.Pro209Leu).

Figure-3

Discussion

Most *GRN* mutations identified to date are predicted to cause the pathology via a haploinsufficiency mechanism by creating premature stop codons, which in turn result in nonsense mediated decay (NMD). In *GRN* we have previously reported one splice site deletion and 4 missense variants in five different individuals. In this study, we have evaluated the effect of these variants in RNA expression and serum protein levels as well as of the novel c.-8+2T>G splice site substitution by performing mRNA quantification and measuring serum PGRN levels.

The novel c.-8+2T>G variant is located in the splice donor site of intron 0 following non-coding exon 0 of *GRN* gene. Near the same region, there are two other mutations (c.-8+3A>T and c.-8+5G>C) that have previously been reported [3] [20] [21] [22]. Of these, the c.-8+5G>C mutation was identified in eleven Belgium families mainly

diagnosed with FTD [3] [21] [22] and is known to prevent splicing of intron 0, leading to degradation of the mutant transcript and complete loss of its translation [3]. The novel c.-8+2T>G variant we studied here was found to likely disturb normal splicing due to loss of splice donor site, according to *in silico* analysis. In our study, we recruited two asymptomatic c.-8+2T>G carriers belonging to the same family with multiple affected family members. We have found that the serum PGRN and mRNA levels in asymptomatic individuals carrying the c.-8+2T>G variant were reduced compared to controls. We were not able to measure protein and mRNA levels in affected individuals, because their serum and RNA samples were not available.

The other splice site mutation (c.708+6_9del) studied here, is located within a repeat sequence (TGAGTGAG) next to the splice donor site of *GRN* intron 6. *In silico* analysis predicted that this deletion could decrease the splicing of exon 6 due to decreased 5' donor site score. Apart from us, two other studies have identified similar deletions in the same repeat sequence in different positions [23] [24] [25]. In their study Skoglund and colleagues (2011), reported that the deletion causes alteration in the splicing pattern and generates aberrant transcripts with premature stop codon, which are most probably degraded by NMD. We showed here that serum PGRN levels were reduced in affected patients and asymptomatic individuals carrying the c.708+6_9del. In addition to decreased serum PGRN level, we have found that *GRN* mRNA levels were also decreased in deletion carriers when compared with controls. Our findings are consistent with the other two studies that showed reduction in *GRN* brain mRNA levels in patients carrying the deletion [23] [24]. This decrease was modest both in our and in previous studies. However, this decrease may reflect the expected haploinsufficiency, even if not at the expected 50% reduction of the normal level, as seen in most *GRN* mutations. Interestingly, the decreased CSF amyloid levels

found in the index patient of this family suggest the co-occurrence of β amyloid pathology. A recent study by Tan et al showed A β deposition in 43% of FTD cases with *GRN* mutations but in none of the cases with *MAPT* mutations [26]. FTD patients may have coexisting amyloid pathology suggesting a potential role of these mutations in the increase of the risk of amyloid accumulation in these patients [27].

All carriers of c.708+6_9del in Family DEM-35, are known to also have a novel nonsense variant (NM_001123066.3:c.262C>T, p.Gln88*) in the alternatively spliced exon 3 of the Microtubule-associated protein tau (*MAPT*) gene. In our study, we were not able to determine if the presence of *MAPT* p.Gln88* had any effects on serum PGRN levels, because there were no affected individuals carrying only one of the variants in the family. However, *MAPT* p.Gln88* is not expected to be pathogenic since the vast majority of reported pathogenic mutations in *MAPT* coding region are missense, deletion and silent type variants affecting the interaction of tau with microtubules.

More details associated with this variant can be found in supplementary material.

In our study, a cut-off value chosen at 93.1ng/mL reliably distinguished studied *GRN* splice site mutation carriers from controls and non-carriers. This threshold value is in line with that previously published by Sleegers et al. [7] that established a serum PGRN cut-off level of 94ng/mL to predict *GRN* null mutations but is higher than more recently proposed plasma or serum cut-off values [4] [8] [11] [12]. The discrepancies between our cut-off value and the values of previous studies may have arisen from inter-laboratory variability associated with the ELISA methods. Additionally, cut-off values are expected to show differences depending on the use of different biological sample (serum vs plasma). Almeida et al showed that there was a difference between serum and plasma cut-off values with 8.7% lower values for

plasma [9]. Also these authors determined that mean serum PGRN levels can change depending on the ELISA kit used. It is also important to establish a specific cut-offs for specific methodologies and specific laboratories. As we used the recently established cut-off of 61ng/mL, our asymptomatic splice site mutation carriers could not be distinguished. Given that there were only eight *GRN* splice site mutation carriers in our study, more mutation carriers will need to be assessed to more precisely determine the optimal cut-off value.

When considering the two splice site mutations, our results suggest that the measurement of serum PGRN levels may identify asymptomatic individuals at risk for the development of FTD, even without any knowledge of the underlying *GRN* mutation. As only two affected mutation carriers were available to our study, we were not able to test correlation between serum PGRN levels and age of disease onset.

When we evaluated missense mutation carriers, the serum PGRN level for the benign p.Asp33Glu carrier was higher than for splice site mutation and other missense carriers, as expected. Interestingly the serum levels of the p.Asp33Glu carrier were higher even than the levels observed for controls, suggesting that other factors affecting serum PGRN levels in this patient. Also, we observed a significant reduction both in protein and RNA levels in p.Cys139Arg carriers. The p.Cys139Arg variant had been previously reported by us and by other studies [10] [28] [29]. Based on *in silico* predictions, p.Cys139Arg was predicted to be likely pathogenic because it disrupts one of the cysteine disulfide bridges in granulin domain F, responsible for the typical folding of the protein [28]. In our previous study, we identified this variant in a female patient diagnosed with FTD. Unfortunately, serum and mRNA samples of this index patient were not available, therefore it was not possible to include her in this study. We have however, included four of her asymptomatic first degree relatives

carrying this variant. We observed significantly lower serum PGRN levels in asymptomatic p.Cys139Arg carriers when compared to healthy controls. Our findings were consistent with previous studies that reported low serum/plasma PGRN levels in carriers of p.Cys139Arg [10] [30]. This finding can possibly be explained by decreased PGRN activity and/or *GRN* production due to altered full-length PGRN function and abnormal cleavage of PGRN into granulins [31]. Though mRNA levels are generally not expected to be affected in carriers of missense mutations, in p.Cys139Arg carriers, unexpectedly, we observed significantly lower RNA levels. Though this decrease seems to be difficult to explain through known mechanisms, it is possible that decreased *GRN* mRNA levels resulted independently from the mutation, as reported in a previous study, where patients without any *GRN* mutation were shown to display decreased peripheral *GRN* mRNA levels [32]. The levels of serum PGRN observed for carriers of other missense variants (p.Val77Ile and p.Pro209Leu) seem to be in between those observed for carriers of pathogenic variants (splice site mutations and p.Cys139Arg missense variant) and controls. This may suggest that a deregulation of PGRN can occur also in carriers of missense variants and that these variants can play a role in the disease as genetic modifiers or risk factors. Therefore, the significance of lower peripheral *GRN* mRNA and PGRN levels in missense mutation carriers needs to be further investigated in larger samples and including different variants. Also, decreased PGRN levels in carriers of pathogenic variants compared to carriers of non-pathogenic variants as shown in our results, may suggest that screening PGRN levels rather than mRNA levels could be more informative to discriminate pathogenic from non-pathogenic *GRN* variants.

We can summarize our key findings as follows:

- 1) So far, it was known that *GRN* mRNA levels of affected c.708+6_9del carriers were decreased in brain tissue. In this study we have shown for the first time that *GRN* mRNA levels of c.708+6_9del carriers are decreased in peripheral blood, as well.
- 2) In this study, the c.-8+2T>G and c.708+6_9del splice site mutations were shown for the first time to be associated with lower serum PGRN levels in both asymptomatic and affected mutation carriers.
- 3) In spite of the limited number of subjects, our results can support the potential use of serum PGRN levels as an easy-to-apply biomarker to predict the presence of *GRN* mutations in asymptomatic individuals at risk and/or affected individuals. However, because of its novel findings, our results need to be further replicated in larger study groups carrying these mutations.

Acknowledgements and sources of support

The authors thank all the patients and their families. Ebru Özer and Meltem Pak helped with obtaining the samples. This work was supported in part by the Research Fund of Istanbul University (Project No: BEK-2017-23839, Project No: 50574) and by Fellowships from the Alzheimer's Society to Jose Bras and Rita Guerreiro.

Disclosure Statement

The authors have no actual or potential conflicts of interest.

References

- [1] He Z, Bateman A (2003) Progranulin (granulin-epithelin precursor, PC-cell-derived growth factor, acrogranin) mediates tissue repair and tumorigenesis. *J Mol Med (Berl)* **81**, 600-612.
- [2] Baker M, Mackenzie IR, Pickering-Brown SM, Gass J, Rademakers R, Lindholm C, Snowden J, Adamson J, Sadovnick AD, Rollinson S, Cannon A, Dwosh E, Neary D, Melquist S, Richardson A, Dickson D, Berger Z, Eriksen J, Robinson T, Zehr C, Dickey CA, Crook R, McGowan E, Mann D, Boeve B, Feldman H, Hutton M (2006) Mutations in progranulin cause tau-negative frontotemporal dementia linked to chromosome 17. *Nature* **442**, 916-919.
- [3] Cruts M, Gijselinck I, van der Zee J, Engelborghs S, Wils H, Pirici D, Rademakers R, Vandenberghe R, Dermaut B, Martin JJ, van Duijn C, Peeters K, Sciot R, Santens P, De Pooter T, Mattheijssens M, Van den Broeck M, Cuijt I, Vennekens K, De Deyn PP, Kumar-Singh S, Van Broeckhoven C (2006) Null mutations in progranulin cause ubiquitin-positive frontotemporal dementia linked to chromosome 17q21. *Nature* **442**, 920-924.
- [4] Sassi C, Capozzo R, Gibbs R, Crews C, Zecca C, Arcuti S, Copetti M, Barulli MR, Brescia V, Singleton AB, Logroscino G (2016) A Novel Splice-Acceptor Site Mutation in GRN (c.709-2 A>T) Causes Frontotemporal Dementia Spectrum in a Large Family from Southern Italy. *Journal of Alzheimers Disease* **53**, 475-485.
- [5] Mendez MF (2018) Manic behavior and asymmetric right frontotemporal dementia from a novel progranulin mutation. *Neuropsychiatr Dis Treat* **14**, 657-662.
- [6] Van Langenhove T, van der Zee J, Gijselinck I, Engelborghs S, Vandenberghe R, Vandenbulcke M, De Bleecker J, Sieben A, Versijpt J, Ivanoiu A, Deryck O, Willems C, Dillen L, Philtjens S, Maes G, Baumer V, Van Den Broeck M, Mattheijssens M, Peeters K, Martin JJ, Michotte A, Santens P, De Jonghe P, Cras P, De Deyn PP, Cruts M, Van Broeckhoven C (2013) Distinct clinical characteristics of C9orf72 expansion carriers compared with GRN, MAPT, and nonmutation carriers in a Flanders-Belgian FTLD cohort. *Jama Neurology* **70**, 365-373.
- [7] Sleegers K, Brouwers N, Van Damme P, Engelborghs S, Gijselinck I, van der Zee J, Peeters K, Mattheijssens M, Cruts M, Vandenberghe R, De Deyn PP, Robberecht W, Van Broeckhoven C (2009) Serum biomarker for progranulin-associated frontotemporal lobar degeneration. *Ann Neurol* **65**, 603-609.
- [8] Schofield EC, Halliday GM, Kwok J, Loy C, Double KL, Hodges JR (2010) Low serum progranulin predicts the presence of mutations: a prospective study. *Journal of Alzheimers Disease* **22**, 981-984.
- [9] Almeida MR, Baldeiras I, Ribeiro MH, Santiago B, Machado C, Massano J, Guimaraes J, Resende Oliveira C, Santana I (2014) Progranulin peripheral levels as a screening tool for the identification of subjects with progranulin mutations in a Portuguese cohort. *Neurodegener Dis* **13**, 214-223.
- [10] Finch N, Baker M, Crook R, Swanson K, Kuntz K, Surtees R, Bisceglia G, Rovelet-Lecrux A, Boeve B, Petersen RC, Dickson DW, Younkin SG, Deramecourt V, Crook J, Graff-Radford NR, Rademakers R (2009) Plasma progranulin levels predict progranulin mutation status in frontotemporal dementia patients and asymptomatic family members. *Brain* **132**, 583-591.
- [11] Ghidoni R, Stoppani E, Rossi G, Piccoli E, Albertini V, Paterlini A, Glionna M, Pegoiani E, Agnati LF, Fenoglio C, Scarpini E, Galimberti D, Morbin M, Tagliavini F, Binetti G, Benussi L (2012) Optimal plasma progranulin cutoff value for predicting null

- progranulin mutations in neurodegenerative diseases: a multicenter Italian study. *Neurodegener Dis* **9**, 121-127.
- [12] Galimberti D, Fumagalli GG, Fenoglio C, Cioffi SMG, Arighi A, Serpente M, Borroni B, Padovani A, Tagliavini F, Masellis M, Tartaglia MC, van Swieten J, Meeter L, Graff C, de Mendonca A, Bocchetta M, Rohrer JD, Scarpini E (2018) Progranulin plasma levels predict the presence of GRN mutations in asymptomatic subjects and do not correlate with brain atrophy: results from the GENFI study. *Neurobiology of Aging* **62**, 245 e249-245 e212.
- [13] Ghidoni R, Benussi L, Glionna M, Franzoni M, Binetti G (2008) Low plasma progranulin levels predict progranulin mutations in frontotemporal lobar degeneration. *Neurology* **71**, 1235-1239.
- [14] Meeter LH, Patzke H, Loewen G, Dopfer EG, Pijnenburg YA, van Minkelen R, van Swieten JC (2016) Progranulin Levels in Plasma and Cerebrospinal Fluid in Granulin Mutation Carriers. *Dement Geriatr Cogn Dis Extra* **6**, 330-340.
- [15] Guven G, Lohmann E, Bras J, Gibbs JR, Gurvit H, Bilgic B, Hanagasi H, Rizzu P, Heutink P, Emre M, Erginel-Unaltuna N, Just W, Hardy J, Singleton A, Guerreiro R (2016) Mutation Frequency of the Major Frontotemporal Dementia Genes, MAPT, GRN and C9ORF72 in a Turkish Cohort of Dementia Patients. *Plos One* **11**.
- [16] Adzhubei IA, Schmidt S, Peshkin L, Ramensky VE, Gerasimova A, Bork P, Kondrashov AS, Sunyaev SR (2010) A method and server for predicting damaging missense mutations. *Nature Methods* **7**, 248-249.
- [17] Schwarz JM, Cooper DN, Schuelke M, Seelow D (2014) MutationTaster2: mutation prediction for the deep-sequencing age. *Nature Methods* **11**, 361-362.
- [18] Choi Y, Sims GE, Murphy S, Miller JR, Chan AP (2012) Predicting the functional effect of amino acid substitutions and indels. *Plos One* **7**, e46688.
- [19] Yeo G, Burge CB (2004) Maximum entropy modeling of short sequence motifs with applications to RNA splicing signals. *J Comput Biol* **11**, 377-394.
- [20] Le Ber I, Van der Zee J, Hannequin D, Gijselinck I, Campion D, Puel M, Laquerriere A, De Pooter T, Camuzat A, Van den Broeck M, Dubois B, Sellal F, Lacomblez L, Vercelletto M, Thomas-Anterion C, Michel BF, Golfier V, Didic M, Salachas F, Duyckaerts C, Cruts M, Verpillat P, Van Broeckhoven C, Brice A, FTD-MND FRNF (2007) Progranulin null mutations in both sporadic and familial frontotemporal dementia. *Hum Mutat* **28**, 846-855.
- [21] Brouwers N, Nuytemans K, van der Zee J, Gijselinck I, Engelborghs S, Theuns J, Kumar-Singh S, Pickut BA, Pals P, Dermaut B, Bogaerts V, De Pooter T, Serneels S, Van den Broeck M, Cuijt I, Mattheijssens M, Peeters K, Sciot R, Martin JJ, Cras P, Santens P, Vandenberghe R, De Deyn PP, Cruts M, Van Broeckhoven C, Sleegers K (2007) Alzheimer and Parkinson diagnoses in progranulin null mutation carriers in an extended founder family. *Arch Neurol* **64**, 1436-1446.
- [22] Janssens J, Philtjens S, Kleinberger G, Van Mossevelde S, van der Zee J, Cacace R, Engelborghs S, Sieben A, Banzhaf-Strathmann J, Dillen L, Merlin C, Cuijt I, Robberecht C, Schmid B, Santens P, Ivanoiu A, Vandenbulcke M, Vandenberghe R, Cras P, De Deyn PP, Martin JJ, Maudsley S, Haass C, Cruts M, Van Broeckhoven C (2015) Investigating the role of filamin C in Belgian patients with frontotemporal dementia linked to GRN deficiency in FTLD-TDP brains. *Acta Neuropathol Commun* **3**, 68.
- [23] Skoglund L, Matsui T, Freeman SH, Wallin A, Blom ES, Frosch MP, Growdon JH, Hyman BT, Lannfelt L, Ingelsson M, Glaser A (2011) Novel Progranulin Mutation Detected in 2 Patients With FTLD. *Alzheimer Disease & Associated Disorders* **25**, 173-178.

- [24] Bit-Ivan EN, Suh E, Shim HS, Weintraub S, Hyman BT, Arnold SE, McCarty-Wood E, Van Deerlin VM, Schneider JA, Trojanowski JQ, Frosch MP, Baker MC, Rademakers R, Mesulam M, Bigio EH (2014) A novel GRN mutation (GRN c.708+6_+9delTGAG) in frontotemporal lobar degeneration with TDP-43-positive inclusions: clinicopathologic report of 6 cases. *J Neuropathol Exp Neurol* **73**, 467-473.
- [25] Galimberti D, Cioffi SM, Fenoglio C, Serpente M, Oblak AL, Rodriguez-Porcel F, Oldoni E, Hagen MC, Arcaro M, Scarpini E, Ghetti B, Espay AJ (2017) Rapidly progressive primary progressive aphasia and parkinsonism with novel GRN mutation. *Mov Disord* **32**, 476-478.
- [26] Tan RH, Kril JJ, Yang Y, Tom N, Hodges JR, Villemagne VL, Rowe CC, Leyton CE, Kwok JBJ, Ittner LM, Halliday GM (2017) Assessment of amyloid beta in pathologically confirmed frontotemporal dementia syndromes. *Alzheimers Dement (Amst)* **9**, 10-20.
- [27] Perry DC, Lehmann M, Yokoyama JS, Karydas A, Lee JJ, Coppola G, Grinberg LT, Geschwind D, Seeley WW, Miller BL, Rosen H, Rabinovici G (2013) Progranulin mutations as risk factors for Alzheimer disease. *Jama Neurology* **70**, 774-778.
- [28] Brouwers N, Sleegers K, Engelborghs S, Maurer-Stroh S, Gijssels I, van der Zee J, Pickut BA, Van den Broeck M, Mattheijssens M, Peeters K, Schymkowitz J, Rousseau F, Martin JJ, Cruts M, De Deyn PP, Van Broeckhoven C (2008) Genetic variability in progranulin contributes to risk for clinically diagnosed Alzheimer disease. *Neurology* **71**, 656-664.
- [29] Bernardi L, Tomaino C, Anfossi M, Gallo M, Geracitano S, Costanzo A, Colao R, Puccio G, Frangipane F, Curcio SA, Mirabelli M, Smirne N, Iapaolo D, Maletta RG, Bruni AC (2009) Novel PSEN1 and PGRN mutations in early-onset familial frontotemporal dementia. *Neurobiology of Aging* **30**, 1825-1833.
- [30] Sleegers K, Brouwers N, Maurer-Stroh S, van Es MA, Van Damme P, van Vught PW, van der Zee J, Serneels S, De Pooter T, Van den Broeck M, Cruts M, Schymkowitz J, De Jonghe P, Rousseau F, van den Berg LH, Robberecht W, Van Broeckhoven C (2008) Progranulin genetic variability contributes to amyotrophic lateral sclerosis. *Neurology* **71**, 253-259.
- [31] Wang J, Van Damme P, Cruchaga C, Gitcho MA, Vidal JM, Seijo-Martinez M, Wang L, Wu JY, Robberecht W, Goate A (2010) Pathogenic cysteine mutations affect progranulin function and production of mature granulins. *J Neurochem* **112**, 1305-1315.
- [32] Coppola G, Karydas A, Rademakers R, Wang Q, Baker M, Hutton M, Miller BL, Geschwind DH (2008) Gene expression study on peripheral blood identifies progranulin mutations. *Ann Neurol* **64**, 92-96.

Table-1. Descriptive characteristics of patients and families according to *GRN* variant type

Patients/Family	Variant	Sex (F/M)	Age	Age of onset	Clinical Status	Diagnosis
Family ALZ-172 (n=3)	c.-8+2T>G	2/1	55.3±2.1	-	Asymptomatic carriers (n=2)	-
					Non-affected (n=1)	-
Family DEM-35 (n=18)	c.708+6_9del	10/8	37.6±17.4	47.5±4.9	Affected (n= 2)	FTD
					Asymptomatic carriers (n=4)	
					Non-affected (n=12)	
Family FTD-16 (n=4)	p.Cys139Arg	2/2	44.75±8.7	-	Asymptomatic carriers (n=4)	-
ALZ-132	p.Pro209Leu	0/1	51	45	Affected	PCA
ALZ-35	p.Val77Ile	0/1	64	50	Affected	AD
ALZ-42	p.Asp33Glu	0/1	80	76	Affected	AD
Controls (n=20)		12/8	49.9±17.1	-	Non-affected	-

Values are expressed as mean±SD and percentages. Abbreviations: AD: Alzheimer Disease, F: Female, FTD: Frontotemporal dementia, M: Male, P: polymorphism, PCA: Posterior Cortical Atrophy.

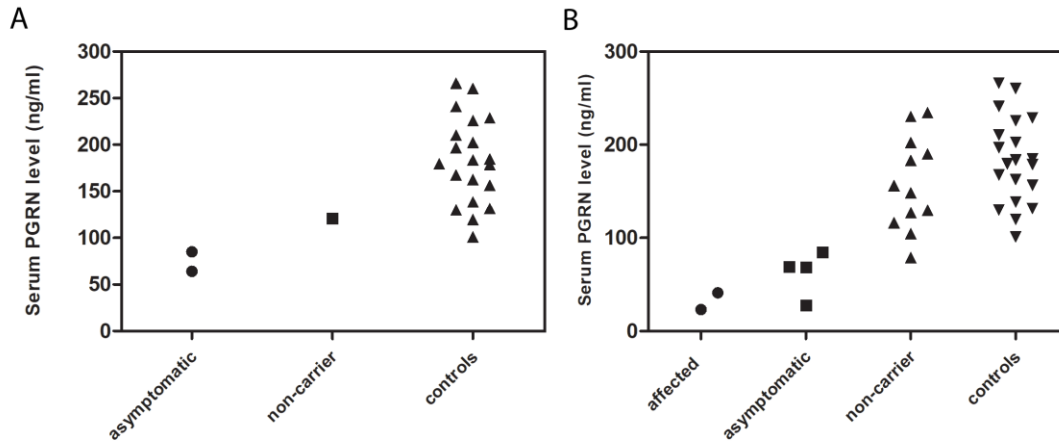


Figure-1. Serum PGRN levels. (A) asymptomatic carriers of c.-8+2T>G, non-carrier and controls, (B) asymptomatic and affected family members with the c.708+6_+9delTGAG deletion, non-carrier family members and controls

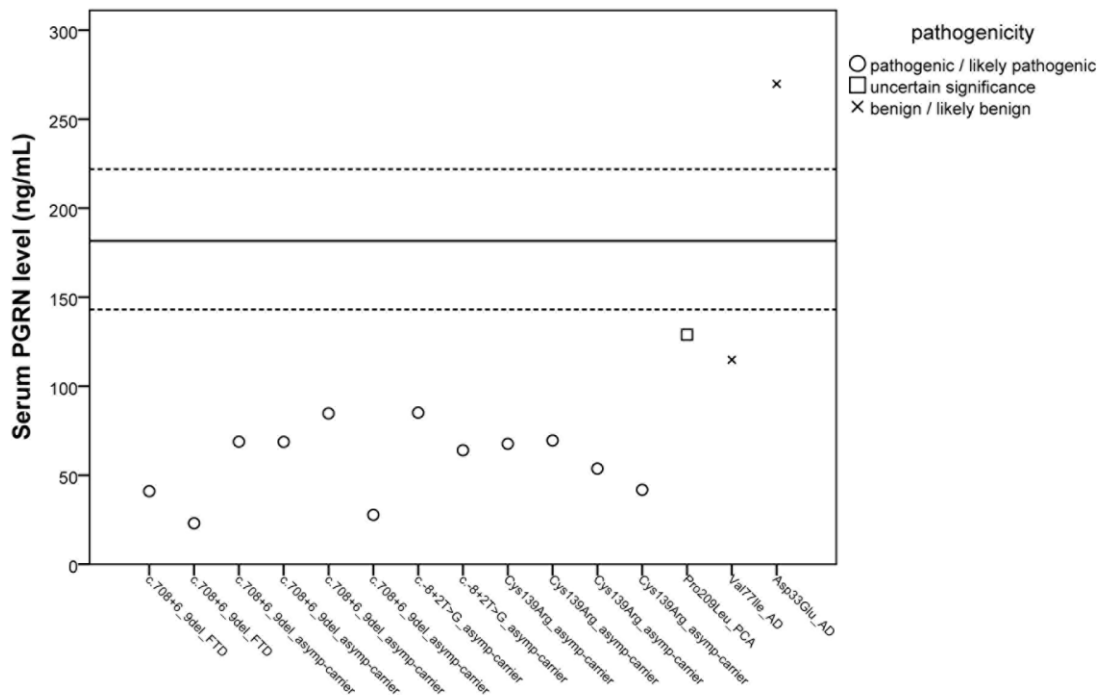


Figure-2. Serum PGRN levels for individual variant carriers relative to median control levels. Circles represent pathogenic and likely pathogenic mutations, squares represent missense variants with uncertain significance and crosses represent benign and likely benign missense variants. Black straight line indicates the median for serum PGRN levels of controls with the 25th and 75th percentiles indicated by the dotted black lines.

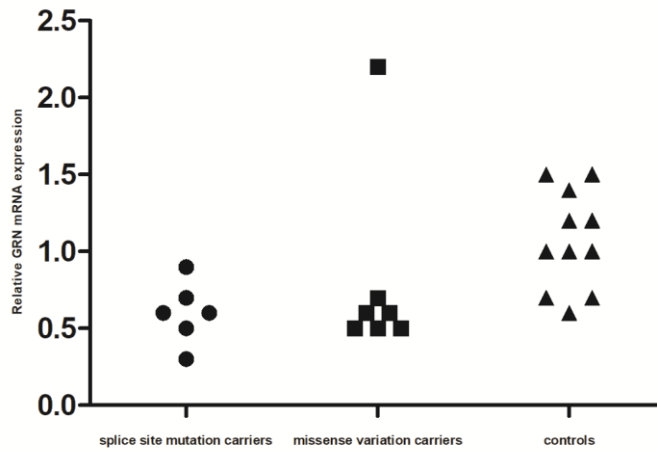


Figure-3. *GRN* mRNA expression levels in controls, splice site mutation and missense variation carriers. The outlier value in missense variation carriers belongs to p.Asp33Glu carrier.

Supplementary Text-1

Clinical description of families carrying *GRN* splice site variants

GRN c.-8+2T>G (Family ALZ-172)

The proband (Supplementary Figure-1, Patient II-9), 52-year-old-age female, admitted to the neurology outpatient clinic with migraine type headache attacks. She was also seeking genetic counseling because of her family history including several dementia and headache patients. She had no cognitive complaints and her neurological examination and neurophysiological evaluation were normal. There were no pathological findings in the MRI of the brain. There was no reported consanguinity between her parents but both were from same small-sized village. Her mother had a history of young-onset dementia with an onset age of 61 and she died at 69 years. She had a history of migraine type headaches in her early life. The proband had eight siblings, three brothers and five sisters. The oldest brother (Supplementary Figure-1, Patient II-1) died of progressive dementia presenting with language problems and behavioural disturbances at the age of 71. First symptoms appeared when he was 68 and he became bedridden and died in the third year of the disease. He also had a history of migraine type headaches in his youth. Sister II-2 (Supplementary Figure-1) also had young-onset dementia with an onset age of 57. Presenting symptoms were behavioural problems and language deficits and she died after she became bedridden at 62 years. She was also suffering from migraine type headaches in her youth. Sister II-3 (Supplementary Figure-1) is 69 years old and still alive, and she has dementia presenting with speech problems and behavioural changes with onset at 66 years. She was also suffering from migraine type headaches at her younger ages. Brother II-4 (Supplementary Figure-1) is 66 years old and still alive and has had dementia for 8 years presenting with speech disturbances and behavioural problems in addition to asymmetrical parkinsonism. Migraine type headache was also in

his past medical history. Sister II-6 (Supplementary Figure-1) is 61 years old and living with dementia which presented with speech problems and severe apathy when she was 56. There was asymmetrical parkinsonism in her neurological examination. She has no history of migraine type headache and her elementary school performance was reported to be below average. Sister II-7 (Supplementary Figure-1) is a 56 years old woman suffering infrequent migraine type headaches. Family members stated that her school performance was also below average and that she had mental retardation (IQ was 71). Brother II-8 (Supplementary Figure-1) is 54 years old and has mild behavioral disturbances for 3 years. He became more stubborn and hasty. His neurological examination was normal. Neurophysiological evaluation revealed signs of dysexecutive syndrome. Cranial MRI showed atrophy of the brain in the left frontoparietal areas with asymmetric enlargement of the lateral ventricles and left sylvian fissure.

GRN c.708+6_9del (Family DEM-35)

The index patient (Supplementary Figure-2, Patient V-18) was admitted to our neurology department with speech problems and mild behavioral changes when he was 44. In his first neurological evaluation there was rigidity and bradykinesia predominantly in his right extremity. MMSE score was 21 and neurophysiological evaluation revealed non-fluent aphasia and dysexecutive syndrome. MRI of the brain showed atrophy mainly in the left frontoparietal areas and there was asymmetrical enlargement of the lateral ventricles and left sylvian fissure. Atrophy of the brain progressed over time and left hippocampus became atrophic in the MRI study performed when he was 47 years old. Positron emission tomography revealed hypometabolism in the left frontal, temporal, basal ganglia and thalamus. Amyloid beta42 levels were below the normal range (364pg/ml) and total tau levels were 196pg/ml in cerebrospinal fluid. His symptoms progressed over time, there was no L-dopa response and he became mute

and wheelchair bound when he was 47. He died due to aspiration pneumonia when he was 50 and totally bedridden. The sister (Supplementary Figure-2, Patient V-14) of the index patient developed a progressive non-fluent aphasia when she was 51 years old. In her first neurological evaluation there was no parkinsonism and her MMSE score was 25. Over time behavioral disturbances including disinhibition, excessive shopping, loss of empathy, stereotypic movements and apathy added to the clinical picture and her symptoms progressed over time. She developed an L-Dopa unresponsive parkinsonism and became mute and bedridden when she was 58 years old. MRI and PET studies of the brain conducted two years after the presentation of the first symptoms showed atrophy and hypometabolism in the left insula, prefrontal and temporal areas.

Supplementary Text -2

Details of *MAPT* p.Gln88* variant

Exome sequencing of index case from Family DEM-35 revealed a novel variant (NM_001123066.3:c.262C>T, p.Gln88*) in the alternatively spliced exon 3 of the Microtubule-associated protein tau (*MAPT*) gene. In Family DEM-35 segregation analysis (n=17) revealed that all carriers of c.708+6_9del were also carrying the p.Gln88* variant and c.708+6_9del non-carriers did not harbor the p.Gln88* variant. This novel variant is located in the projection domain of the protein that mediates the interaction of tau with the neural plasma membrane [1]. Pathogenic *MAPT* mutations are clustered in exons 9–13 encoding the microtubule binding domains (that mediate interaction of Tau with microtubules). So far no pathogenic mutations have been reported in the alternatively spliced exons 2 or 3. Co-occurrence of *GRN* mutations with *MAPT* variants have been previously reported [2] [3]. In the study of Moreno et al., it has been found that the *MAPT* p.Ala152Thr variant co-segregated with the *GRN* c.709-1G>A mutation. Even though the p.A152T variant presented a limited influence on

clinical phenotype in symptomatic c.709-1G>A *GRN* carriers, decreased serum PGRN levels in c.709-1G>A carriers were shown to be independent of the presence of *MAPT* p.Ala152Thr variant. In our study, however, we were not able to determine if the *MAPT* p.Gln88* had any effects in the clinical features of *GRN* c.708+6_9del- carriers, because there were no affected individuals carrying only one of the variants in the family. Co-segregation of this variant with the *GRN* c.708+6_9del could be explained by the close proximity (1.7Mb) of *MAPT* and *GRN* genes at Chromosome 17.

References

- [1] Brandt R, Leger J, Lee G (1995) Interaction of tau with the neural plasma membrane mediated by tau's amino-terminal projection domain. *J Cell Biol* **131**, 1327-1340.
- [2] Pickering-Brown SM, Baker M, Gass J, Boeve BF, Loy CT, Brooks WS, Mackenzie IR, Martins RN, Kwok JB, Halliday GM, Kril J, Schofield PR, Mann DM, Hutton M (2006) Mutations in progranulin explain atypical phenotypes with variants in MAPT. *Brain* 129, 3124-3126.
- [3] Moreno F, Indakoetxea B, Barandiaran M, Caballero MC, Gorostidi A, Calafell F, Gabilondo A, Tainta M, Zulaica M, Marti Masso JF, Lopez de Munain A, Sanchez-Juan P, Lee SE (2017) The unexpected co-occurrence of GRN and MAPT p.A152T in Basque families: Clinical and pathological characteristics. *Plos One* **12**, e0178093.

Supplementary Table-1

In silico analysis of pathogenicity of the studied variants

Variant	Effect	In silico pathogenicity prediction*	ACMG Classification
c.-8+2T>G	splice site donor	Loss of donor splice site**	Pathogenic
c.708+6_9del	splice site donor	Weakens normal donor splice site**	Pathogenic
p.Cys139Arg	non synonymous_coding	PrD/D/DC	Likely pathogenic
p.Pro209Leu	non synonymous_coding	PrD/T/DC	Uncertain significance
p.Val77Ile	non synonymous_coding	B/T/P	Benign
p.Asp33Glu	non synonymous_coding	B/T/P	Likely benign

*In silico prediction programs (PolyPhen-2, SIFT, MutationTaster, respectively) were used to evaluate the effect of nonsynonymous variants on protein function and structure. ** MaxEntScan was used to predict the splicing effect. Abbreviations: ACMG: American College of Medical Genetics and Genomics, B: benign, D: damaging, DC: disease causing, P: polymorphism, PrD: probably damaging, T: tolerated

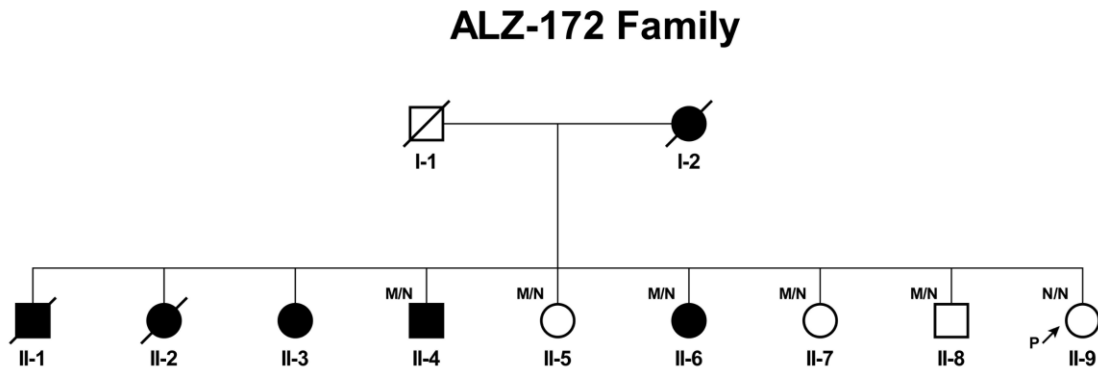
Supplementary Table-2

Individual characteristics, results of the genetic status, and serum PGRN levels in family DEM-35

Patient ID	Gender	Affection status	Age at examination	MMSE score	Serum PGRN level (ng/ml)	<i>GRN</i> c.708+6_9del mutation
Patient III-4	M	non affected	78	na	202,4	no
Patient V-11	M	non affected	60	30	234,5	no
Patient V-14	F	affected	56		41	yes
Patient V-16	F	asymptomatic	52	30	68,8	yes
Patient V-18	M	affected	46		23	yes
Patient VI-8	M	non affected	34	30	116,3	No
Patient VII-2	M	non affected	15	na	230,3	No
Patient V-6	F	non affected	44	30	129,8	No
Patient V-1	F	non affected	49	30	156,2	No
Patient V-7	F	non affected	32	na	79	No
Patient VI-6	F	non affected	40	30	183,2	No
Patient VI-1	F	Asymptomatic - Mental retardation	21	15	68,7	Yes
Patient VI-2	M	asymptomatic	9	30	84,7	Yes
Patient VI-3	F	asymptomatic	29	30	27,7	Yes
Patient VI-4	F	non affected	27	30	190	No
Patient VI-5	F	non affected	19	30	127,2	No
Patient VI-10	M	non affected	34	30	148,4	No
Patient VI-9	M	non affected	32	30	104,6	No

Supplementary Figure-1

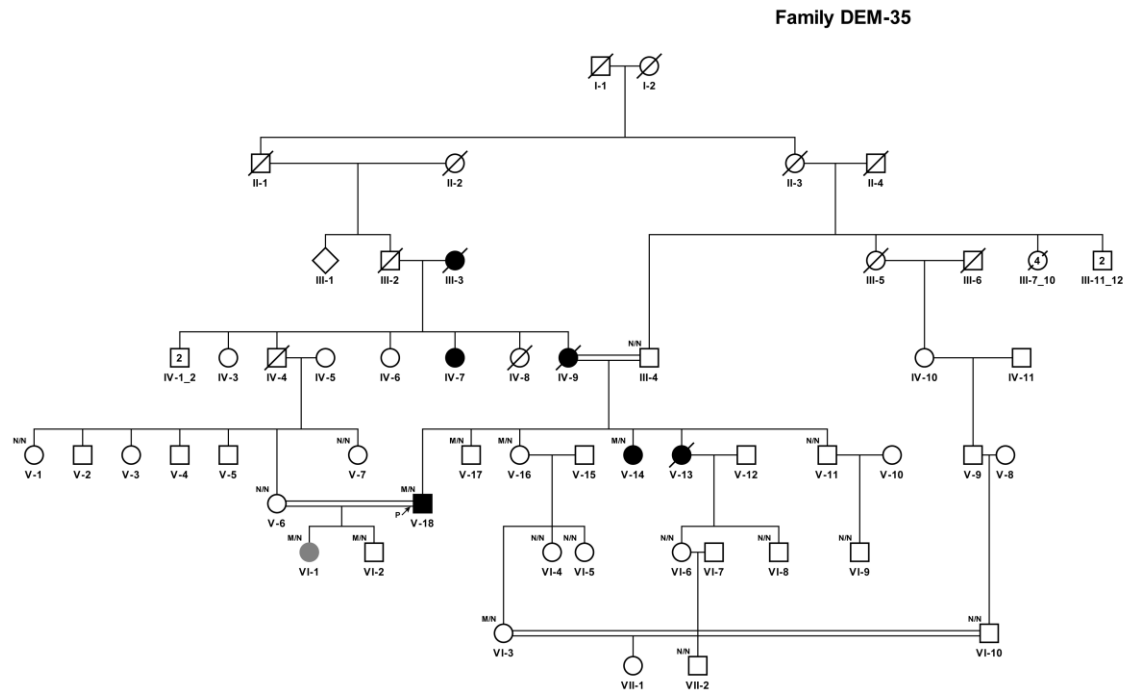
ALZ-172 family pedigree



The arrow indicates the proband. Black filled symbols: affected patients; white symbols: unaffected family members. M: c.-8+2T>G carrier, N: c.-8+2T>G non-carrier

Supplementary Figure-2

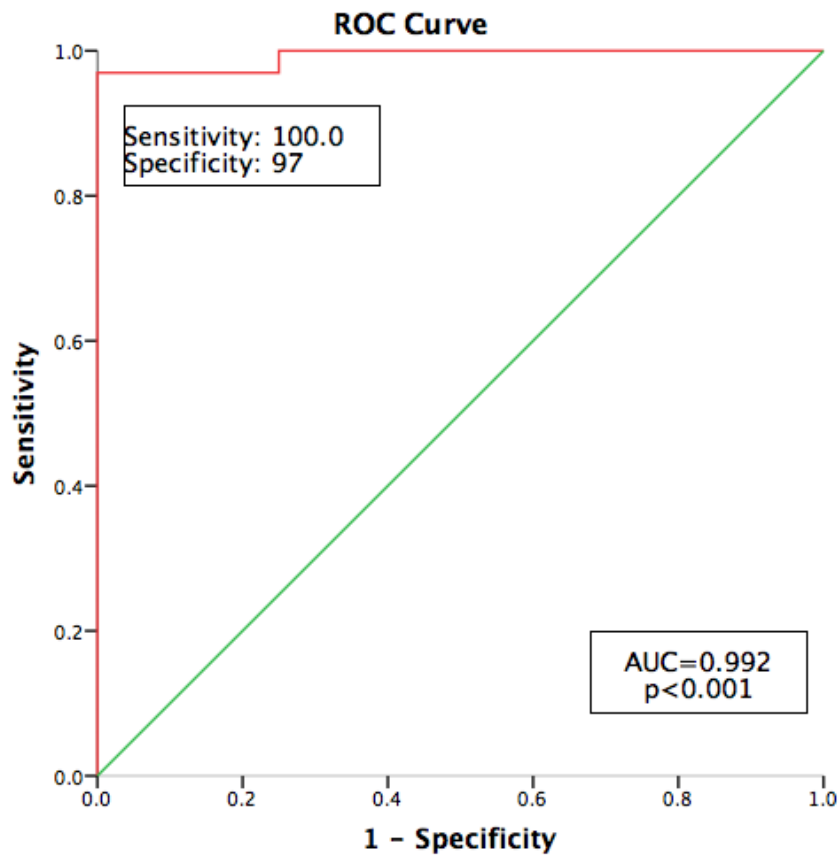
DEM-35 family pedigree



The arrow indicates the proband. Black filled symbols: affected patients; grey symbol: patient with mental retardation; white symbols: unaffected family members. M: c.708+6_9del carrier, N: c.708+6_9del non-carrier

Supplementary Figure-3

The receiver operating characteristics (ROC) curve



The ROC curve was generated using data from 8 splice site mutation carriers and 33 non-carriers. The area under the curve (AUC) was determined with a 95% confidence interval and was 0.992 ($p < 0.001$). The diagonal line represents a reference line showing zero sensitivity and zero specificity. Results were statistically significant ($p < 0.05$), (null hypothesis: Area = 0.5)

Area under curve (AUC)	Serum PGRN
Area	0.992
Standart Error ^a	0.010
95%CI	0.973-1.000
p-value ^b	<0.001
Sensitivity	100.00
Specificity	97.00

a. Under the non-parametric assumption

b. Null hypothesis: true area=0.5